

**METEOR Unlimited Colors XL+**



## Printing System

**Hi-def toner.** Dry, silicone free toner.

Smaller particles. Higher color consistency.

**Eco-friendly formula.** Long life toner. Ability to swap on-the-fly without interrupting production.

## iFOIL T

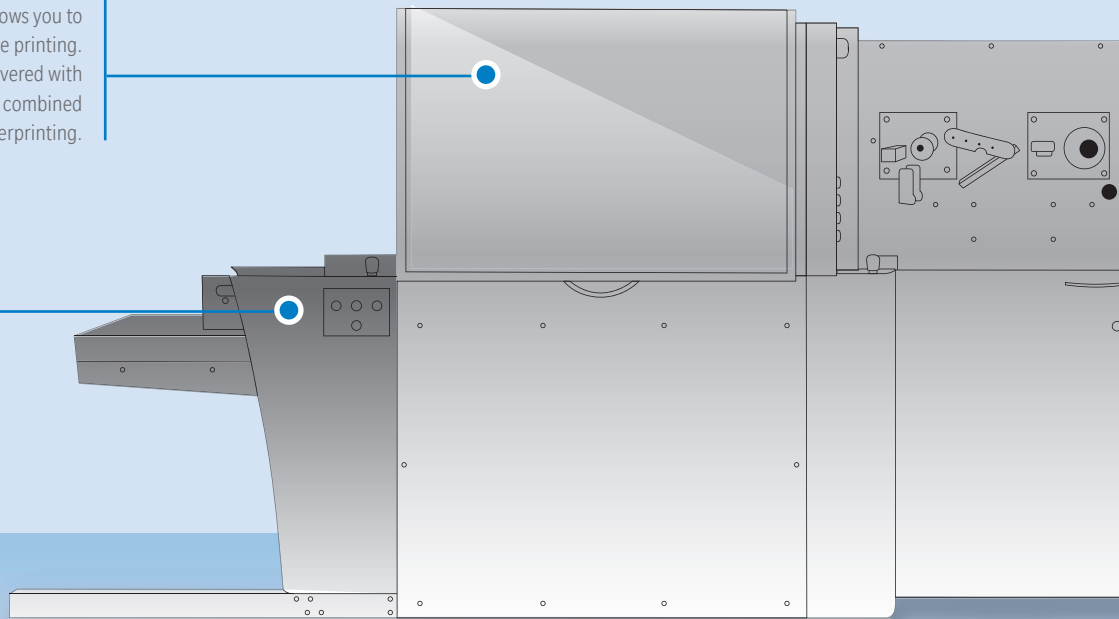
The iFOIL T station connects in-line with the Meteor XL+, allows you to generate high added value printing.

The final job is delivered with outstanding metallic tones combined with CMYK color overprinting.

## High Capacity Stacker

High volume laser guided stacker for output.

Stack up to 6,000 sheets of paper or 60 cm/23" height.



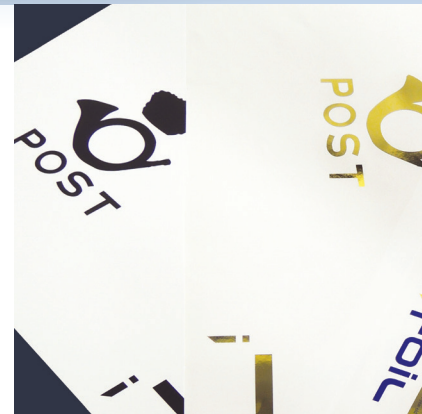
## Focus on...

**Based on the original MGI iFOIL award-winning technology,** the iFOIL T is a breakthrough innovative digital toner foiling solution for the postpress print enhancement market.

MGI Meteor digital presses can be fully integrated with the iFOIL T station to create a Meteor Unlimited Colors® inline printing and foiling solution. Print Service Providers (PSPs) are now able to produce output with a virtually unlimited number of colors via the blending of CMYK toner and the reflective qualities of foil film – including a rainbow spectrum of hues with metallic, glitter and holographic effects.

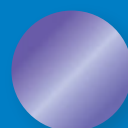
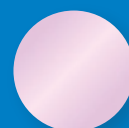
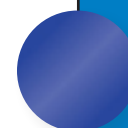
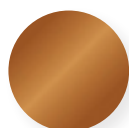
The Meteor Unlimited Colors system uses a 100% digital production process. This unique integrated printing press and postpress foiling system eliminates the cost and need for die-making, tooling and traditional

makeready setup times and waste. A wide variety of standard market foils – and colors, patterns and designs – can be used to create brilliant (and highly profitable) special effects in a single pass. Since Konica Minolta does not impose click charges on Meteor presses, multiple passes can be cost-effectively used to create truly remarkable toner-over-foil blends of color and light on a diverse range of substrates – including uncoated and coated paper, laminated surfaces, plastics and many other synthetic materials. The system can use up to two different foils in a single pass.



## FIRST-PASS FOILING

- Embellishment of print jobs with the original foil color with a combination of toner and foil adhesion
- Highlight areas like logos, shapes, texts and lines
- Gold or silver foil to increase the values of print jobs



### Registration

Automated Skew and Centering Adjustment (ASCA) system for on-the-fly registration.

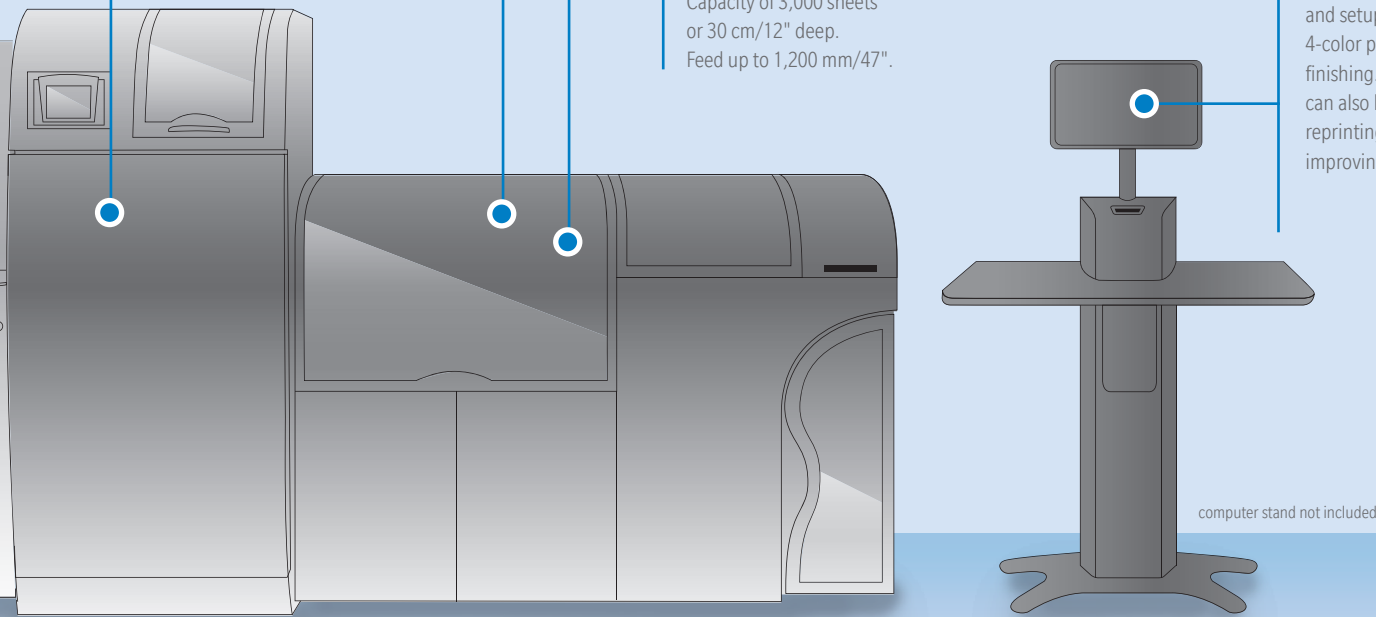
### Formats from 3.9" x 5.8" up to 13" x 47"

**High capacity pneumatic feeder. Friction free suction feeding.**

Capacity of 3,000 sheets or 30 cm/12" deep. Feed up to 1,200 mm/47".

### Foil Manager Software Suite

Meteor Manager is a powerful supervision software that provides operator access from a single interface to all parameters to manage and setup production from 4-color printing through foil finishing. All the parameters can also be stored for further reprinting, saving time and improving efficiency.



## ...iFoil Technology

The **iFOIL T module connects inline with the MGI Meteor Press**. This digital enhancement option allows printers to generate lucrative, high-margin output, expand their service portfolios and strengthen their client relationships.

### First Pass Foiling

Printing jobs can be embellished with the original foil color via a fusion of toner & foil adhesion to the substrate surface. Application examples include: logos, shapes, text, lines and highlights. The ability to add elements like gold & silver to digitally printed output dramatically increases the value of the material to the customer.

### Second Pass Toner

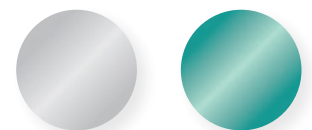
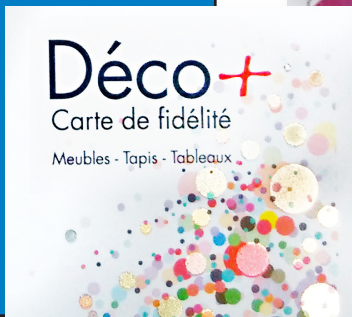
With no click charges involved, printers can also overprint the foil applied during the first pass with another application of CMYK toner to create a limitless kaleidoscope of tints & hues – as well as precise spot coats to match colors generated from other environments. The light-reflecting qualities of metallic foil provide a powerful foundation for expanding the gamut of effects to a virtually unlimited color range.

### Foil Over Foil and Authentication Hologram Digital Printing® (AHDP) System

AHDP®, a MGI exclusive and patent system, produces on-demand holographic imprints with Meteor Unlimited Colors presses, specially-formulated toner and foil films. The digital holographic effects offer customized security authentication options at a mere fraction of traditional costs. This powerful anti-counterfeiting method is now economically accessible without the need of expensive dies and lengthy tooling processes. AHDP also works in conjunction with variable data printing (VDP) to create unique document identification applications.

### SECOND-PASS TONER

- First-pass foiling can be overprinted with CMYK toner to create unlimited range of metallic colors
- Brilliant light-reflecting qualities of gold and silver foil



# Specifications

## Meteor DP8700 XL+ 4-Color Digital Press

<b>Color Print Speed</b>	Up to 71 <sup>(1)</sup> A4 sheets per minute.
<b>Print Quality and Line Screens</b>	Print resolution up to 3,600 dpi and line screens ranging from 130 to 270 lpi.
<b>Printable Formats</b>	<ul style="list-style-type: none"> <li>• Minimum: 100x148 mm – 3.9" x 5.8"</li> <li>• Maximum: 330x1,200 mm – 13" x 47"</li> </ul>
<b>Supported Substrate Thicknesses</b>	<ul style="list-style-type: none"> <li>• Paper from 65 to 400 gsm (coated and uncoated);</li> <li>• Plastic from 100 to 400 µm (PVC, Teslin®, Vinyl).</li> <li>• Envelope from 100 to 400 µm with/without window.</li> </ul>
<b>Paper Input</b>	<ul style="list-style-type: none"> <li>• 2 Trays</li> <li>1,500 sheets total capacity (500+1,000 sheets).</li> <li>• Bypass</li> <li>250 sheets capacity from 65 up to 300 gsm.</li> <li>• Integrated Pneumatic Loader</li> <li>3,000 sheets maximum capacity</li> </ul>
<b>Registration</b>	Precise registration with exclusive Automated Skew and Centering Adjustment (ASCA) system. Comparable to offset, applies to all printed works (front-back, page-page at ±0.5 mm).
<b>Feeder Table</b>	Feeder table with fully motorized and automatic side lay guide. Auto-adjusts for format width and paper skew. Ultrasonic double sheet detection system.
<b>Paper Output</b>	High pile motorized stacker for hosting up to 6,000 sheets.
<b>External Controller</b>	Fiery FS100 Pro.
<b>Personalization and Variable Data Printing</b>	100% compatible with market standard software solutions (Adobe InDesign, Bartender, Newleaf...).
<b>Electrical Specifications</b>	Feeder: 1 x (230V / 1P + N + E / 32 A) Printer: 1 x (230V / 1P + N + E / 32 A) iFOIL T: 2 x (230V / 1P + N + E / 32A) 1 x (230V / 1P + N + E / 16 A) Stacker: 1 x (230V / 1P + N + E / 16 A) Computer & Rip: 3 x (230V / 1P + N + E / 16 A)
<b>Operating Environment</b>	<ul style="list-style-type: none"> <li>• Required temperatures: 18° to 30°C (59°F to 86°F)</li> <li>Optimum between: 20° to 22°C (64° to 73°F)</li> <li>• Operating Humidity: 30% to 50% RH</li> <li>Optimal condition: 40%</li> </ul>
<b>Dimensions &amp; Weight</b>	LxWxH: 6.73x1.40x1.81 meters/264"x55"x71" 2,002 kg/4,413 lbs

(1) without calibration and stabilization

## iFOIL T Digital Foiling Station

<b>Supported Thicknesses With Foil Without Toner Overprinting</b>	<ul style="list-style-type: none"> <li>• Minimum: 80 gsm equals to 80 µm prior to printing and possible lamination.</li> <li>• Maximum: 350 gsm equals to 350 µm prior to printing and possible lamination.</li> </ul>
<b>Supported Thicknesses With Foil and Toner Overprinting</b>	<ul style="list-style-type: none"> <li>• Minimum: 150 gsm equals to 150 µm prior to printing and possible lamination.</li> <li>• Maximum: 350 gsm equals to 350 µm prior to printing and possible lamination.</li> </ul>
<b>Printing Speed</b>	Up to 50 <sup>(1)</sup> A4 sheets per minute
<b>Paper Formats</b>	<ul style="list-style-type: none"> <li>• Minimum: 110x220 mm – 4.3" x 8.7"</li> <li>• Maximum: 330x1,200 mm<sup>(2)</sup> – 13" x 47"</li> </ul>
<b>Substrates</b>	The Hot Foil process is compatible with most of the substrates supported by the Meteor Digital Press (uncoated or coated paper, textured paper, envelopes, PVC, Teslin, etc.).
<b>Hot Foils</b>	Utilizes selected hot foils available on the market. Integrated foil consumption system. Popular foil colors are supported such as gold, silver, blue, red, green and black.
<b>Rolls</b>	Hot foil are delivered on rolls. Standard roll is 320 mm width and 305 meters long, using a one inch core. Possibility to use smaller widths such as 100 mm and add them up on the same axis for laying up to 2 simultaneous colors. Option: 3 inch core automatic unwinding.
<b>Foil Manager Software Suite</b>	Meteor Manager is a powerful supervision software platform. Within a single tool, it gives access to the operator to parameters to manage and setup the production from 4-color printing through foil finishing. All parameters can also be stored for further reprinting, saving time and improving efficiency.
<b>Electrical Specifications</b>	Feeder: 1 x (230V / 1P + N + E / 32 A) Printer: 1 x (230V / 1P + N + E / 32 A) iFOIL T: 2 x (230V / 1P + N + E / 32A) 1 x (230V / 1P + N + E / 16 A) Stacker: 1 x (230V / 1P + N + E / 16 A) Computer & Rip: 3 x (230V / 1P + N + E / 16 A)
<b>Operating Environment</b>	<ul style="list-style-type: none"> <li>• Required temperatures: 18° to 30°C (59°F to 86°F)</li> <li>Optimum between: 20° to 22°C (64° to 73°F)</li> <li>• Operating Humidity: 30% to 50% RH</li> <li>Optimal condition: 40%</li> </ul>
<b>Dimensions &amp; Weight</b>	LxWxH: 6.73x1.40x1.81 meters/264"x55"x71" 2,002 kg/4,413 lbs

(1) print speed may vary according to the substrate and print parameter used  
 (2) please contact Konica Minolta to check your substrates/toner/foils compatibility  
 (3) duplex technical limitation. Please contact us.

## Partnership.

Konica Minolta can help give shape to your ideas and partner with you to achieve your corporate objectives. Contact us to realize opportunities in:

### Information Management

Enterprise Content Management (ECM)  
 Document Management  
 Automated Workflow Solutions  
 Business Process Automation  
 Security and Compliance  
 Mobility  
 eDiscovery Services

### IT Services

Application Services  
 Cloud Services  
 IT Security  
 Managed IT Services  
 IT Consulting & Projects

### Technology

Office Multifunction Business Solutions  
 Commercial and Production Printers  
 3D Printers  
 Wide Format Printers  
 Laptops, Desktops and Computer Hardware  
 Servers and Networking Equipment  
 Managed Print Services (MPS)  
 Managed Enterprise Services

For complete information on Konica Minolta products and solutions, please visit: [CountOnKonicaMinolta.com](http://CountOnKonicaMinolta.com)



**KONICA MINOLTA**

**KONICA MINOLTA BUSINESS SOLUTIONS U.S.A., INC.**  
 100 Williams Drive, Ramsey, New Jersey 07446

[CountOnKonicaMinolta.com](http://CountOnKonicaMinolta.com)



Item #: MGIMETEORXLBRO  
 2/17-L